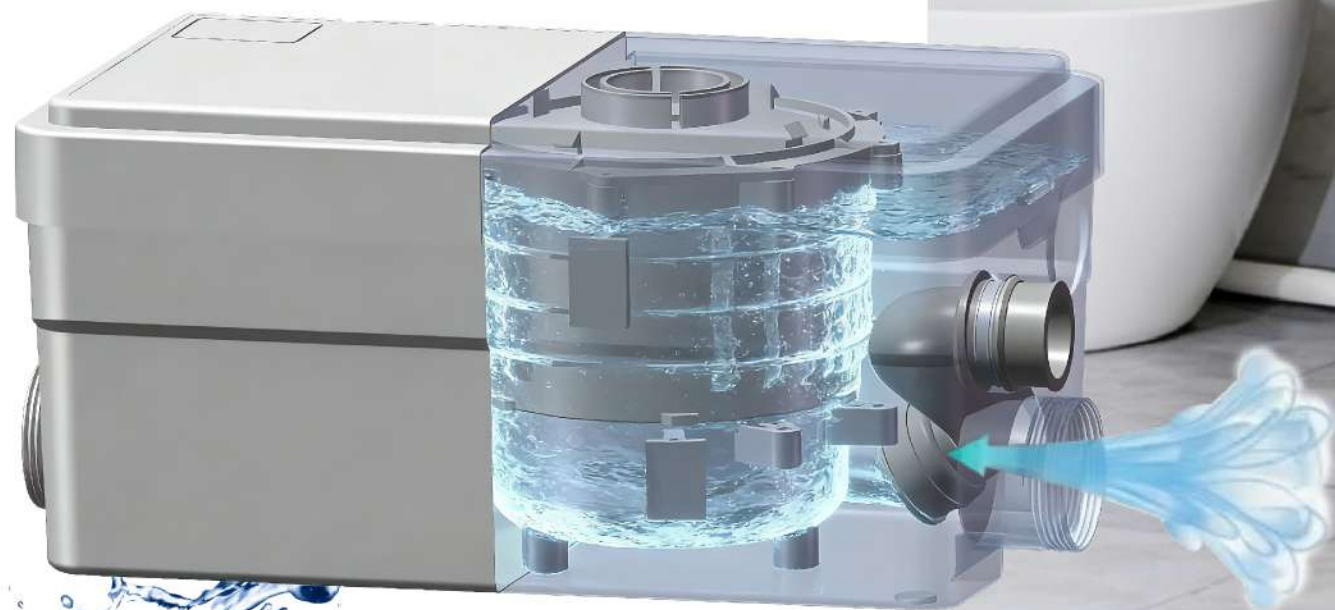


**LM**  
LEONG MENG  
CONSTRUCTION



PANTRY PUMP SYSTEM  
**LM-9500MM-1S**

## INTRODUCTION

---

Automated wastewater pump is essential for properties without floor traps, efficiently transferring wastewater to the nearest toilet or sewage pipeline.

The pump system collects and automatically transfers wastewater from fixtures such as sinks, showers, and washing machines to the main sewage line, preventing backups and overflows.

Equipped with a powerful motor and impeller, the pump efficiently moves wastewater through pipes, even against gravity, ensuring reliable and consistent performance.

Built-in safety mechanisms, such as thermal overload protection and alarm systems, safeguard the pump from damage and alert users to potential issues, ensuring safe and reliable operation.

### **Application:**

Ideal for commercial offices, shopping mall, basements, laundry rooms, or any location where gravity drainage is insufficient.



# LM-9500MM-1S

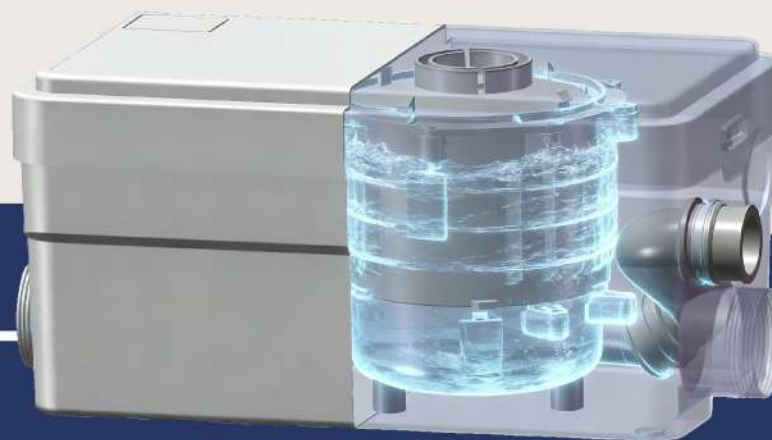
## SPECIFICATION

**AC Power:** 100 -240 / 50Hz

**Power Consumption:** 250W

**Max Flowrate:** 135L/M

**Max Head:** 9.5m



**Max Water Temp:** 90 Celsius <5mins

**Noisy Level:** <35bBs

**Our pump is engineered to deliver exceptional performance while prioritizing your well-being:**



**Powerful flow rate & high pump head:**  
Ensures efficient liquid movement even in demanding setups.



**Reduced odour:**  
Produces far less unpleasant smell compared to other brands.



**Low noise operation:**  
Keeps your space quiet and comfortable.

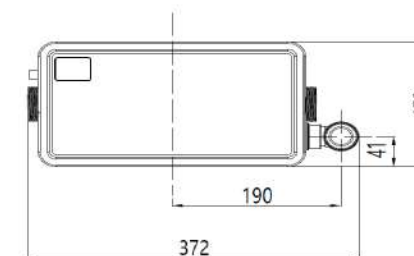
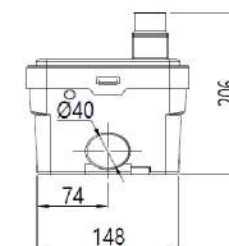
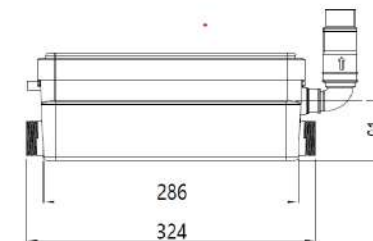
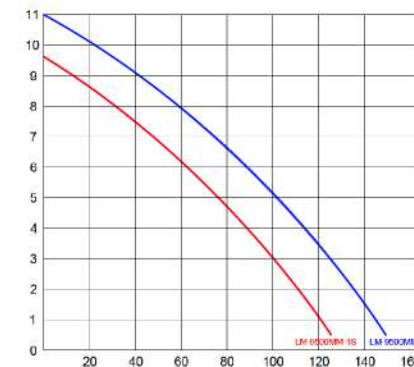


**Longer lifespan:**  
Built to last longer than many competing models, offering greater value over time.

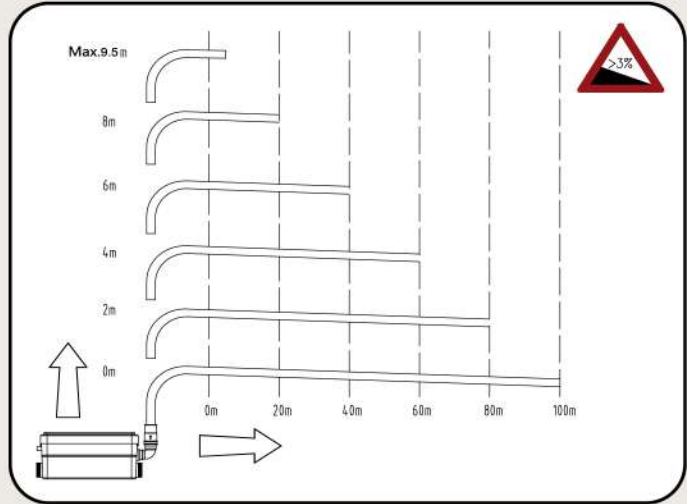
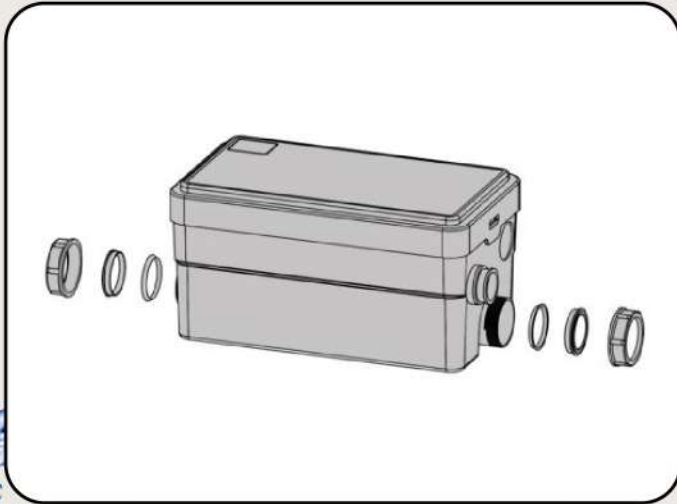
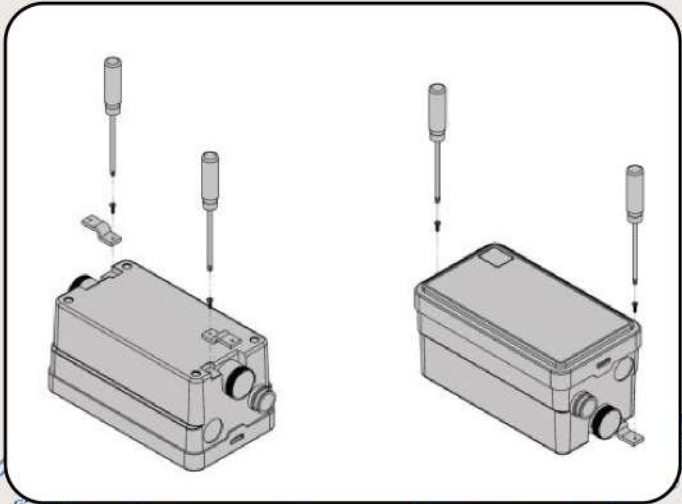
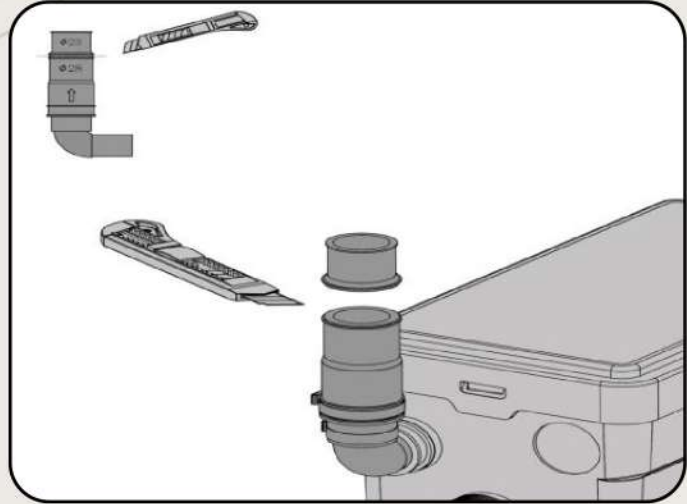
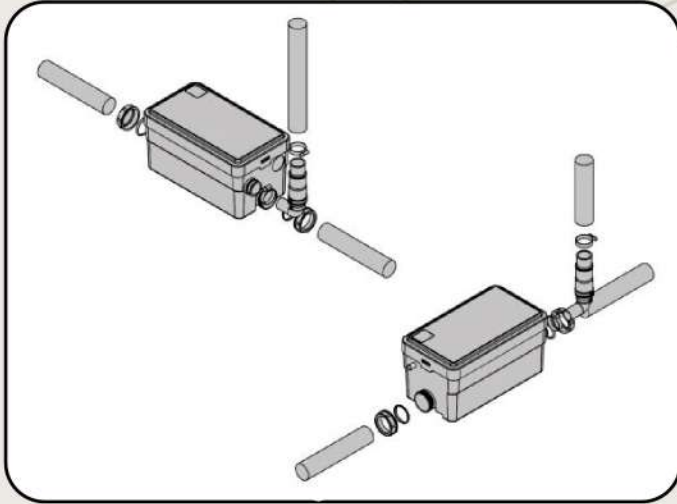
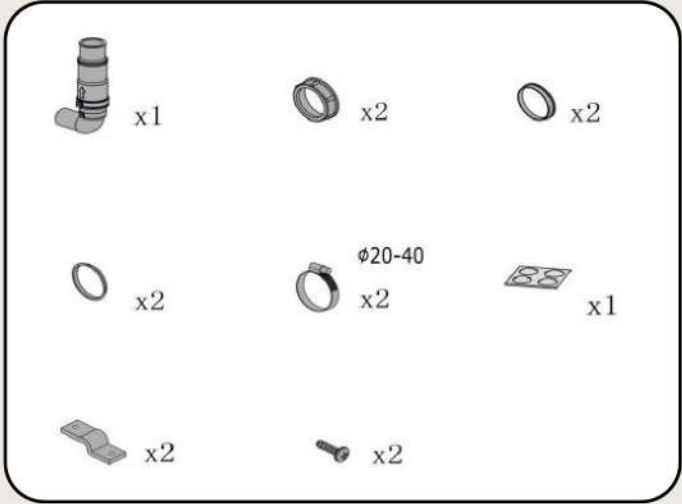


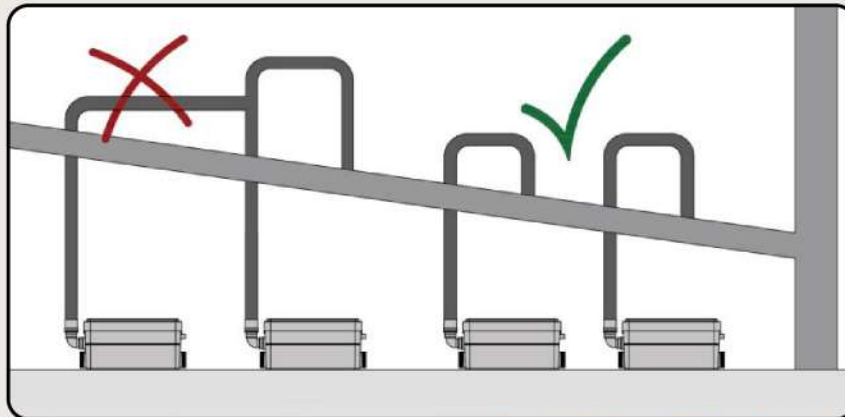
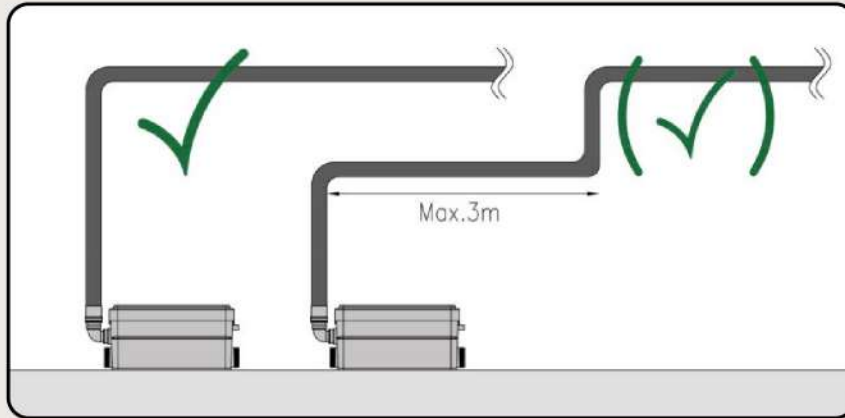
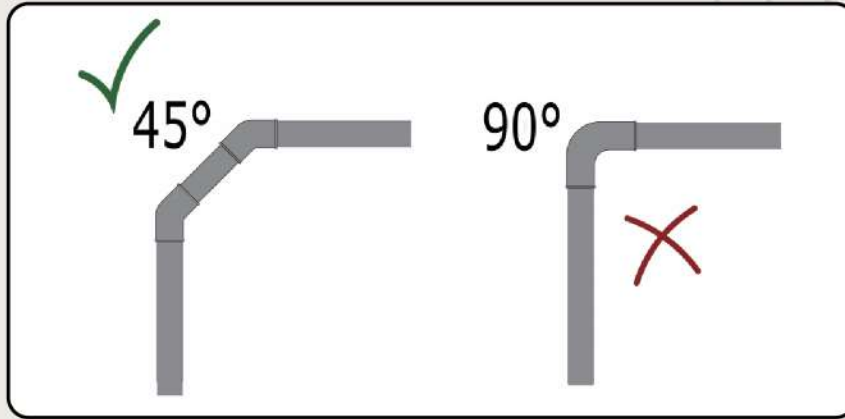
**Less residual sewage:**  
Minimizes stagnant water in the container.

All these features work together to create a clean, safe environment for you and those around you.



**INSTALLATION GUIDELINE**





**⚠ WARNING!!!**

1. Please read the manual carefully before installation
2. Avoid chemical solvents, strong acids and alkali entering the machine
3. Avoid too much hair into the machine
4. When installing the device, placing a check valve is necessary
5. Make sure that wastewater flowing from equipment automatically enters the pump
6. Keep the device dry and away from humid environments
7. Maintenance should only be performed by qualified professionals
8. Disable electrical power and remove the plug from the socket before performing repairs on the device





**5 YEARS WARRANTY**

REGISTER & SERVICING REQUIRED


 warranty@leongmeng-construction.com


 +65 9843 3931

**LM**  
LEONG MENG  
CONSTRUCTION

**LEONG MENG CONSTRUCTION PTE LTD**

 202 Kallang Bahru #08-07 Singapore 339339

 admin@leongmeng-construction.com.sg /  
leonteoh@leongmeng-construction.com.sg

 +65 8782 2856 /  
+65 9843 3931

 <https://leongmeng-construction.com.sg>